



Case Study of a High-Speed Distribution Network Reconfiguration Scheme Implementation at PSE&G

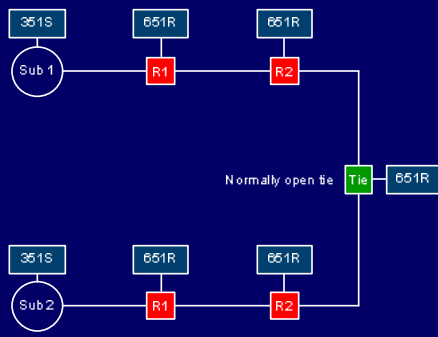
MAKING ENERGY POWER SAFER, SMARTER, AND MORE SUSTAINABLE

Copyright © SEL 2009

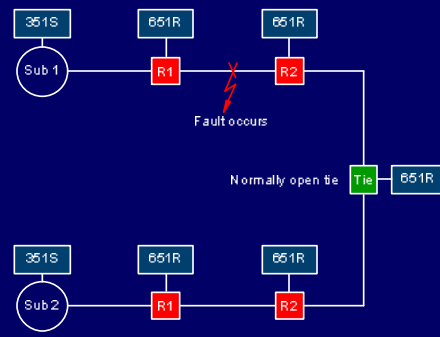
PSE&G "Close-Before-Open" Scheme Eliminates Unnecessary Interruptions



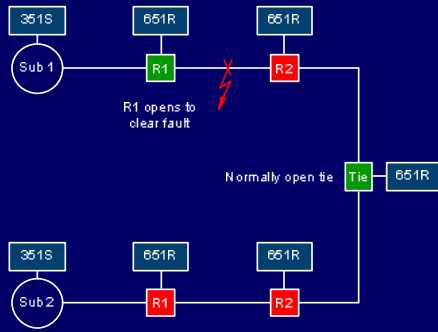
Original Scheme Results in Outages Beyond the Faulted Section



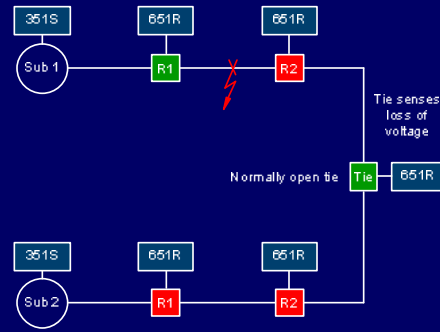
Fault Occurs



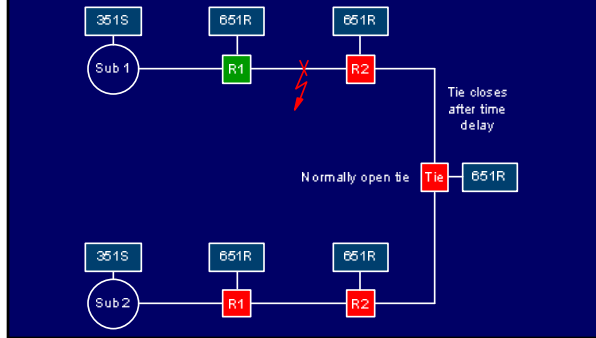
R1 Opens to Clear Fault



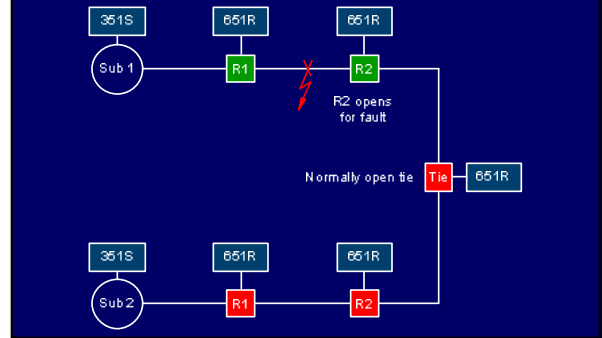
Tie Senses Loss of Voltage



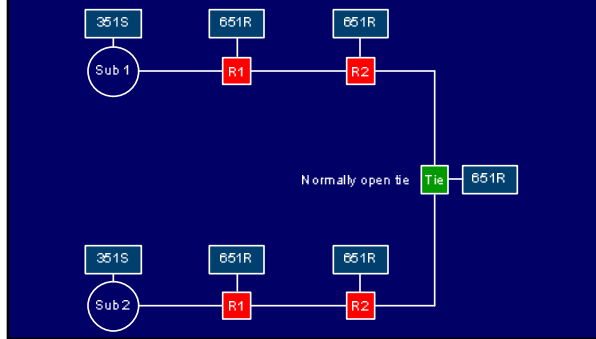
Tie Closes to Restore Service



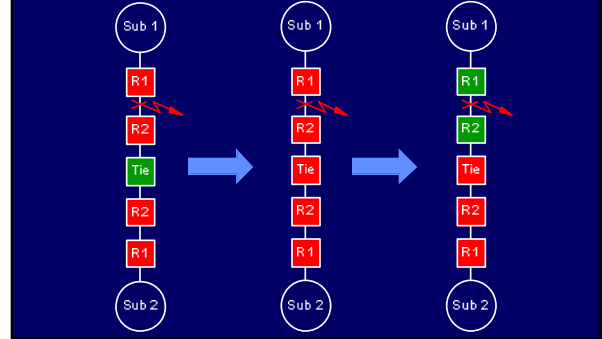
R2 Opens to Complete Sectionalizing



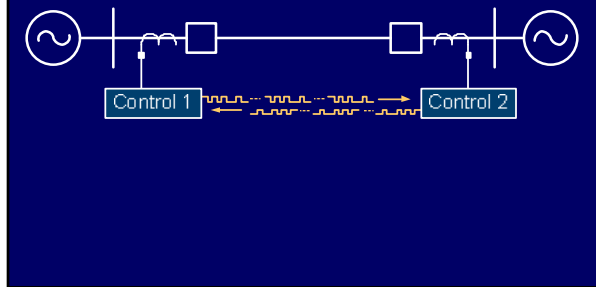
Opportunities to Improve



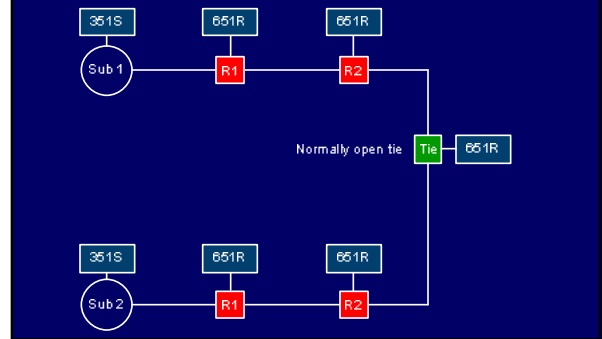
Close Tie Before Clearing Fault to Prevent Unnecessary Interruptions

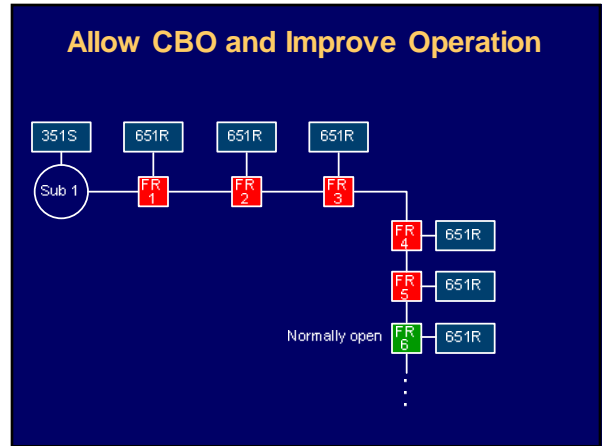
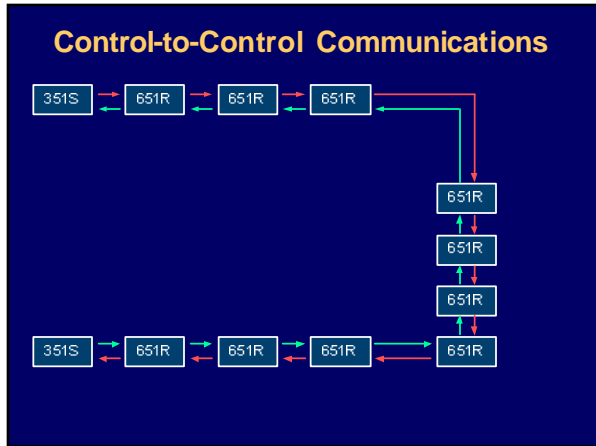
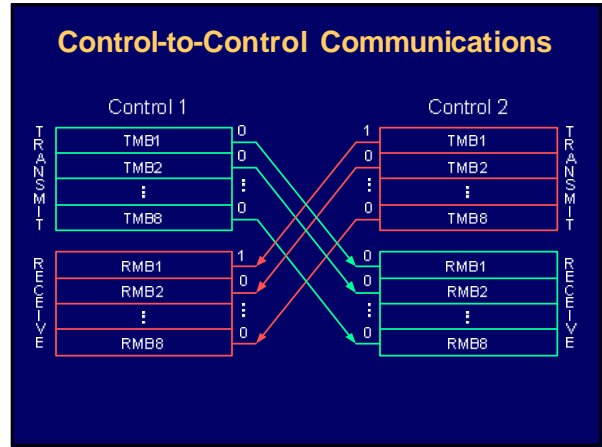
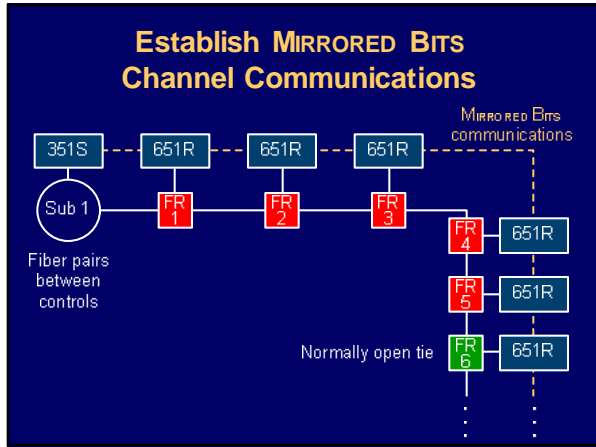
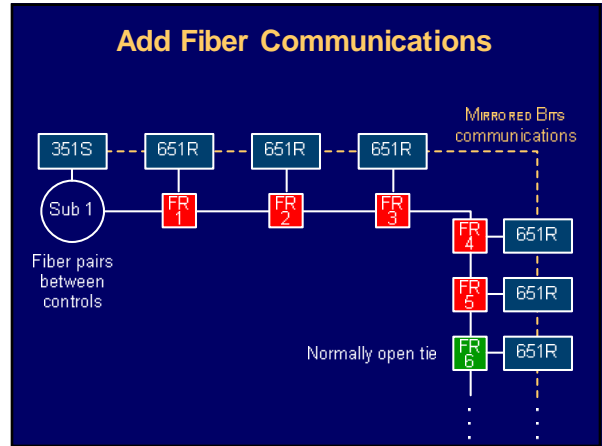
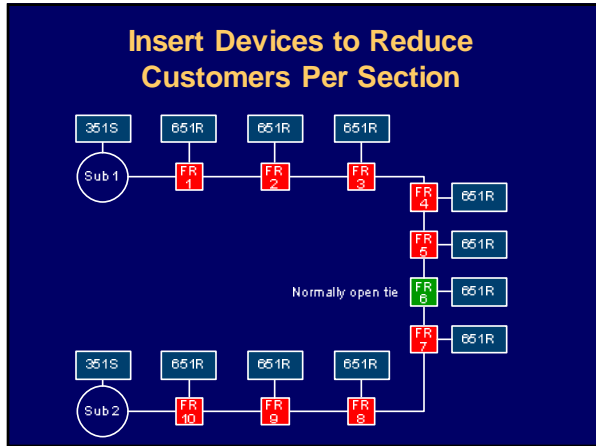


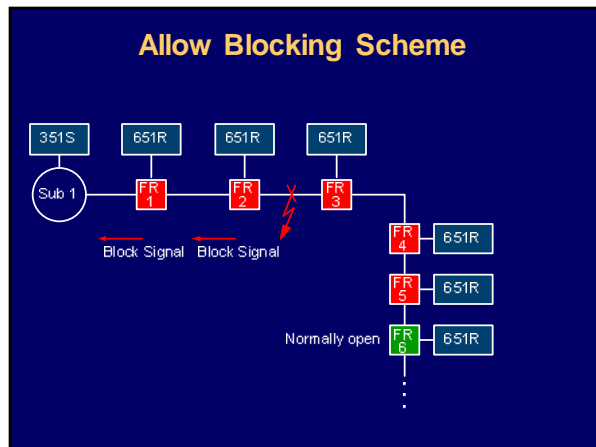
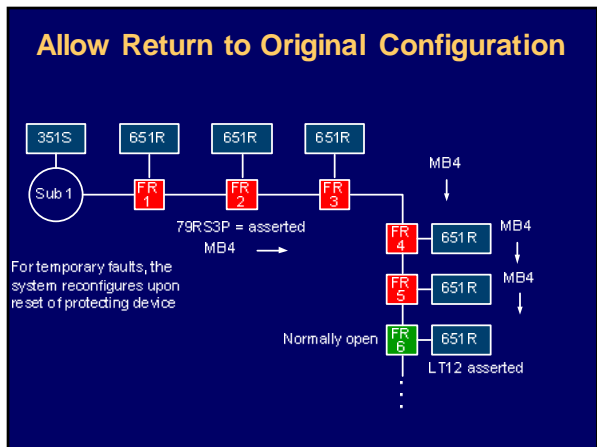
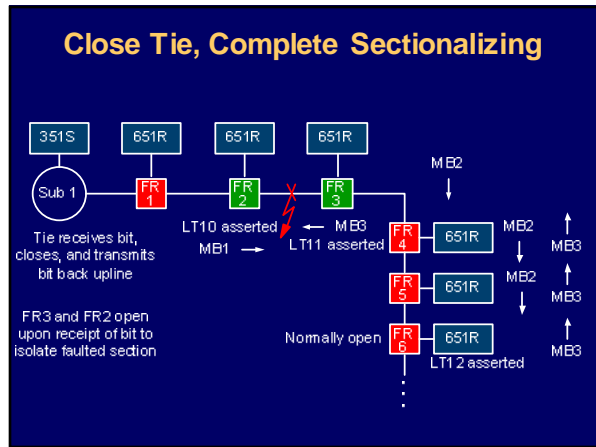
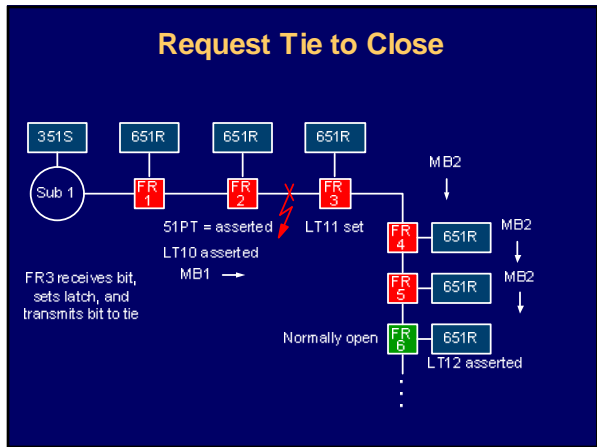
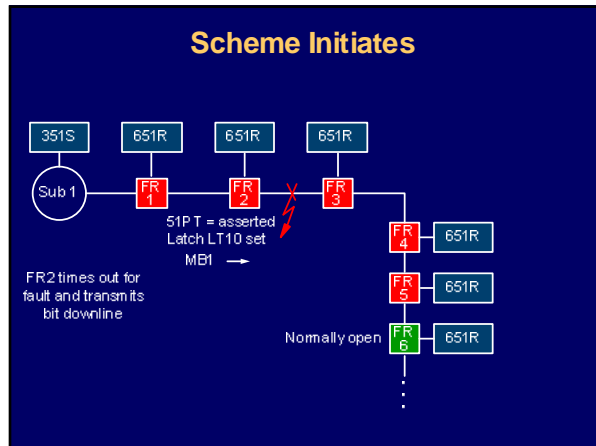
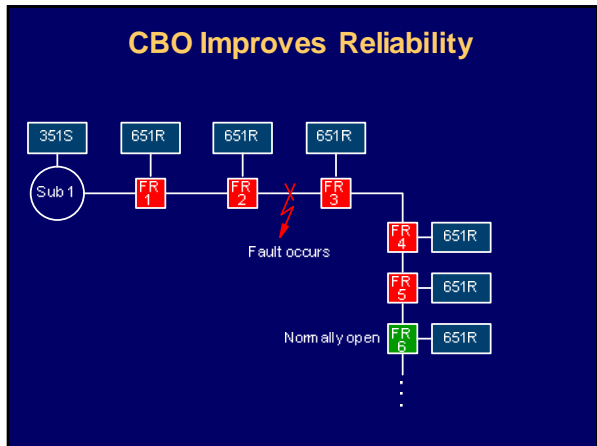
SEL MIRRORED BITS® Communications Is Ready, Willing, and Able



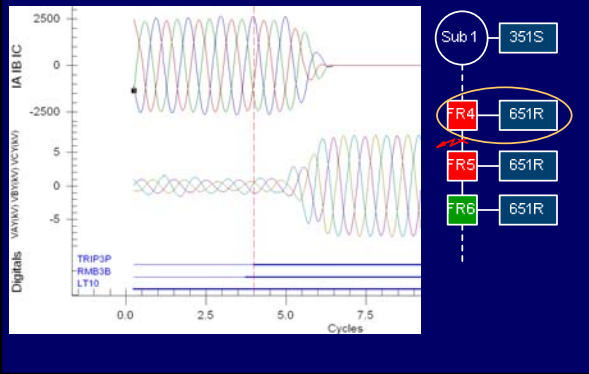
Original Circuit Serves as Starting Point



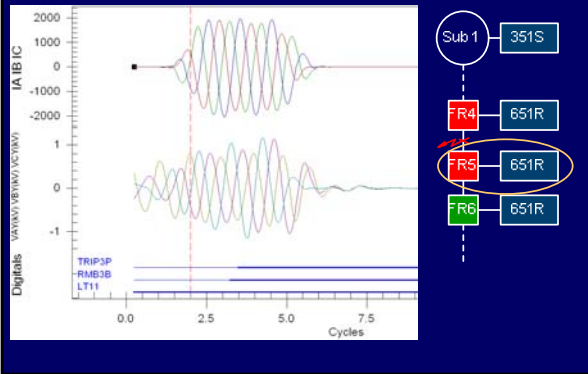




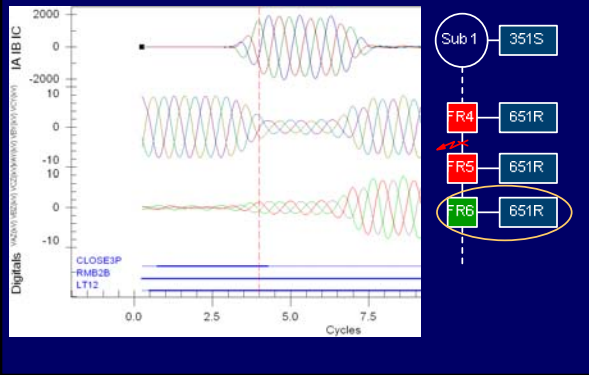
SEL MIRRORED BITS Proves Ideal for CBO



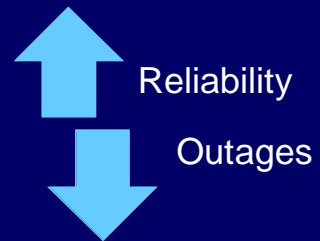
SEL MIRRORED BITS Proves Ideal for CBO



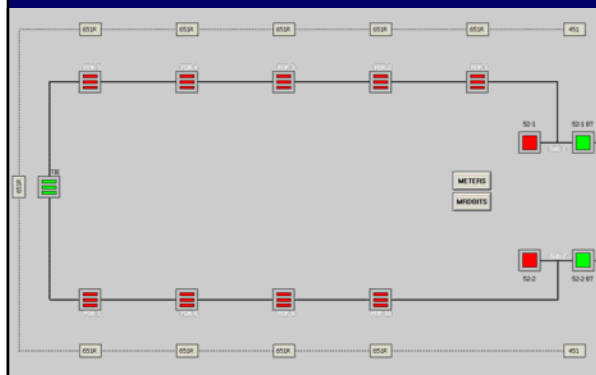
SEL MIRRORED BITS Proves Ideal for CBO



CBO Solution Improves Performance by Reducing Outages to the Minimum



New Scheme Integration



SEL and PSE&G Continue Work to Enhance Operation



